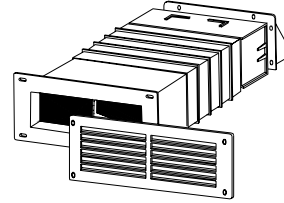
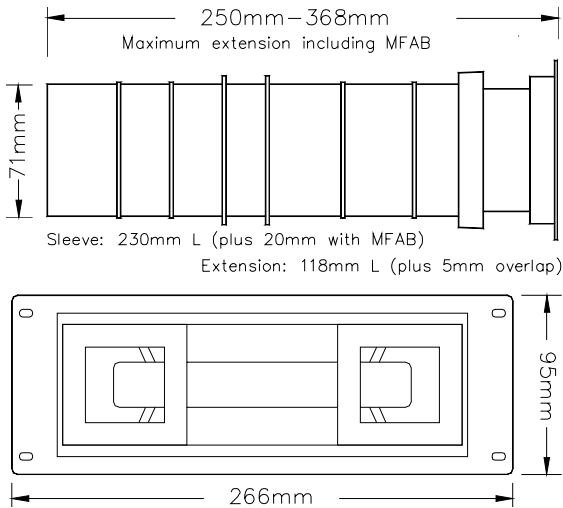


Technical Data Sheet

Rytons '9 x 3' Cowled Acoustic AirLiner® Set with Flush Fitting Louvre Ventilator (Sound, Light and Draught Reducing)

Dimensional Drawing

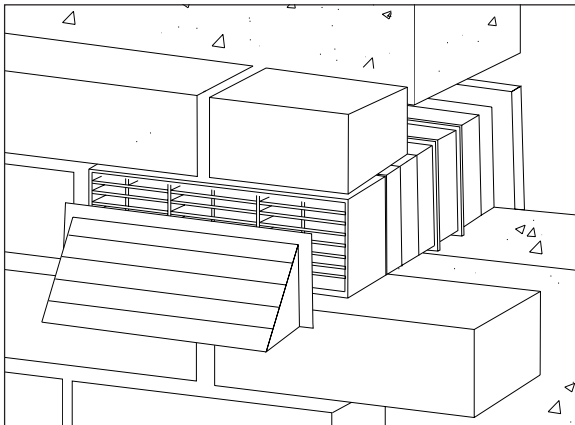


Main Uses, Features and Benefits

- Acoustic appliance and room ventilator with external cowl.
- Gross appliance rated input 12kW.
- $D_{n,e,w}$ rating BRE tested to BS EN ISO 717-1:1997.
- Equivalent area Advantica tested to BS 5440-2:2000.
- Cowl and internal AirLiner® baffle reduce light and draughts.
- Finished with fixed open flush fitting louvre ventilator.
- U.V. stabilised cowl, air brick and flush fitting louvre ventilator.
- Set contains Rytons Cowl '9x3' (ABC3), Rytons Multifix® Air Brick (MFAB), Rytons '9x3' Acoustic AirLiner® (TAL4000) and Rytons Flush Fitting Louvre Ventilator '9x3' (LF80).



In-Situ Line Drawing



F30 Accessories/Sundry Items for Brick/Block/Stone Walling
Specification clauses 17, 171
U90 General Ventilation - Domestic
Specification clauses 310, 340

| Product Specification Code | $D_{n,e,w}$ | Equivalent Area |
|----------------------------|-------------|--|
| Rytons TAL4CWL | 40 dB | 2580mm ² (25.8cm ²) (4"²) |

Important Note

Testing was carried out without an internal ventilator, therefore the 40 dB rating should be considered a *minimum* as once Rytons Flush Fitting Louvre Ventilator '9 x 3' (LF80) is fitted a higher figure may be achieved.

Size

ABC3: 255mm (L) x 96mm (H) x 44mm (D).

MFAB & TAL4000: 220mm (W) x 71mm (H).

Extends from 250mm to 368mm (L) with Multifix® Air Brick fitted.

LF80: 270mm (L) x 97mm (H).

Heat Producing Appliances

Suitable for an open-flued gas appliance installed in a room or internal space with a gross rated input up to 12kW (40900 Btu/h).

Composition

ABC3: U.V. stabilised high impact polystyrene.

MFAB: U.V. stabilised polypropylene.

TAL4000: Rigid Liner - Polypropylene.

TAL4000: Insert Sleeve - Polypropylene containing sound absorbent foam panels.

LF80: U.V. stabilised high impact polystyrene.

Colour Key



Technical Data Sheet

Rytons '9 x 3' Cowled Acoustic AirLiner® Set with Flush Fitting Louvre Ventilator (Sound, Light and Draught Reducing)

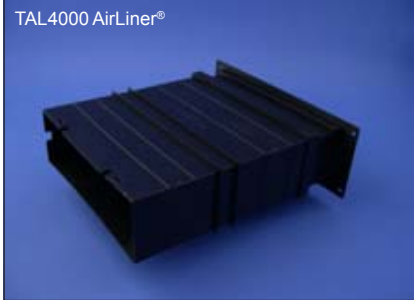
Photo Library

Buff/Sand Cowl and Multifix® Air Brick



White Flush Louvre

TAL4000 AirLiner®



Colours

ABC3: Terracotta, buff/sand.

MFAB: Terracotta, buff/sand.

TAL4000: Black.

LF80: White.

Specification Paragraph

Manufacturer:

Rytons Building Products Ltd Tel: 01536 511874 Fax: 01536 310455

Email: admin@rytons.com Web: www.vents.co.uk (updated regularly)

Product ref:

- Rytons '9 x 3' Cowled Acoustic AirLiner® Set Buff/Sand (ref TAL4BSCWL to BBA 94/3071)

- Rytons '9 x 3' Cowled Acoustic AirLiner® Set Terracotta (ref TAL4TCCWL to BBA 94/3071)

- Rytons '9 x 3' Cowled Acoustic AirLiner® Set White (ref TAL4WHCWL to BBA 94/3071)

Type: Acoustic Telescopic Liner with Cowl, Multifix® Air Brick and Flush Louvre
Equivalent Area: 2580mm² (Advantica tested)

Installation

No special fixing required. Build in air brick and cavity liner as work proceeds. Extend telescopic sleeve as necessary. Fasten cowl to the brickwork through the pre-formed holes in the flange around the cowl. Fasten louvre ventilator into the flange of the AirLiner®.

Extra Features and Benefits

Individually boxed sets for easy identification, handling and efficient installation.

Cowl prevents infiltration of wind driven rain and snow and alleviates air blasts through the cavity which may cause discomfort in a room.

Air brick louvres promote unrestricted air flow and reduce risk of blockage as well as keeping large insects out. Also features built-in water baffles to prevent water penetration.

External baffles on the AirLiner® prevent water transfer across the cavity.

Extra slim profile of the Flush Fitting Louvre gives a neat internal appearance.

Flush Fitting Louvre embossed with DO NOT BLOCK.

BBA Approval

All components BBA approved. Rytons has 73 British Board of Agrément approved products; the largest range on the market. BBA certification is third party evaluation and accreditation, and approved products are accepted by building control officers, architects, engineers and surveyors nationwide. The NHBC also accept products approved by the BBA when used as stated in the relevant BBA certificate. Rytons also has an Irish Building Regulation Statement for each of their three BBA certificates.

Technical Data Sheet

Rytons '9 x 3' Cowled Acoustic AirLiner® Set with Flush Fitting Louvre Ventilator (Sound, Light and Draught Reducing)

UK Regulations, Standards and Guidelines

Measurement of sound insulation made by BRE in accordance with BS EN 20140-10:1992 'Laboratory measurement of airborne sound insulation of small building elements'. Single number quantities were calculated in accordance with BS EN ISO 717-1:1997 'Rating of sound insulation in buildings and of building elements'.

For heat producing appliances (including solid fuel) refer to:

The Building Regulations 2000, Approved Document J.
The Building (Scotland) Regulations 2004, Mandatory Standard 3.21.
The Building Regulations (Northern Ireland) 2000, Technical Booklet L.
British Standard BS 5440-2:2000.

For decorative fuel effect gas fires refer to:

British Standard BS 5871-3:2005.

The Building Regulations 2000, Approved Document E

Although aimed to reduce noise transmission between internal and separating walls and floors, Rytons believe noise ingress through ventilation should also be considered and an 'acoustic' option selected if appropriate.

Handling Information

Box quantity: 1 set.
Box size: 32cm (W) x 10.5cm (H) x 29cm (D).
Box weight: 0.67kg.

A bit about the BRE

The Building Research Establishment Ltd is a respected independent testing authority. BRE Acoustics holds UKAS accreditation for the measurement of sound insulation in the field and the laboratory. The measurements were conducted using the procedures accredited by UKAS.

Questions

Is a copy of the BRE test report available?

Yes, ask Rytons sales office for a copy of test report 230822.

Will installing more than one vent to achieve a greater free area have an effect on the acoustic performance?

Yes, by installing two vents anywhere in a room the combined performance of both vents would be reduced by 3dB. Installing four vents would give a reduction of 6dB.

What can I use to extend the AirLiner® further?

It is possible to use Rytons '9 x 3' Non-Telescopic AirLiner® (TCL8LNR) as an extension, refer to technical data sheet 9X3AIRLINERS. It is recommended that all joints be sealed with an appropriate tape.