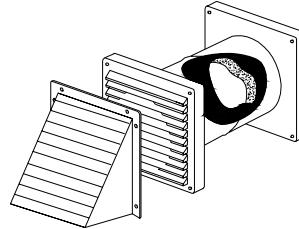
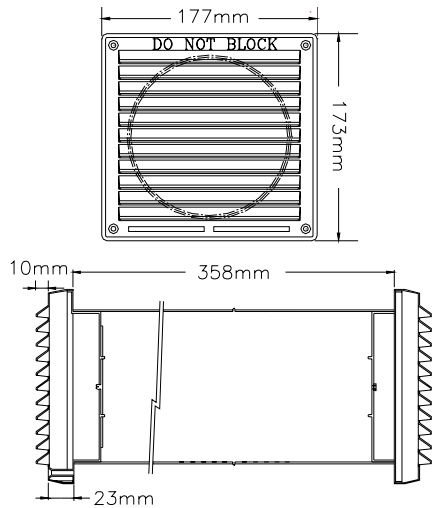


Technical Data Sheet

Rytons Cowled 150mm Acoustic AirCores® (Sound and Draught Reducing)

Dimensional Drawing



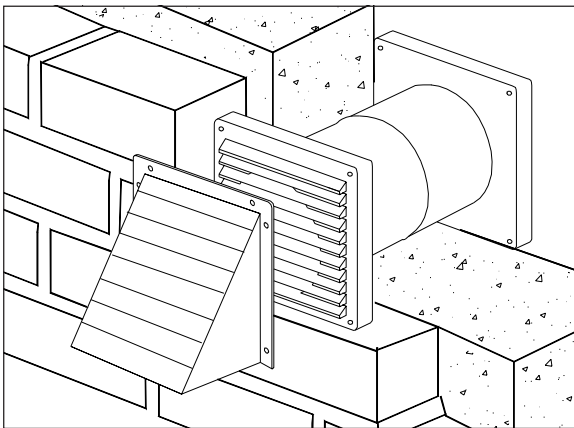
Main Uses, Features and Benefits

- Acoustic appliance and room ventilators with external cowls.
- A choice of two Acoustic AirCores® offering different dB ratings and equivalent areas.
- D_{n,e,w} rating BRE tested to BS EN ISO 717-1:1997.
- Equivalent areas BRE tested to BS 5440-2:2000.
- Cowls reduce light and draughts.
- For new and refurbishment projects.
- U.V. stabilised cowl and grilles.

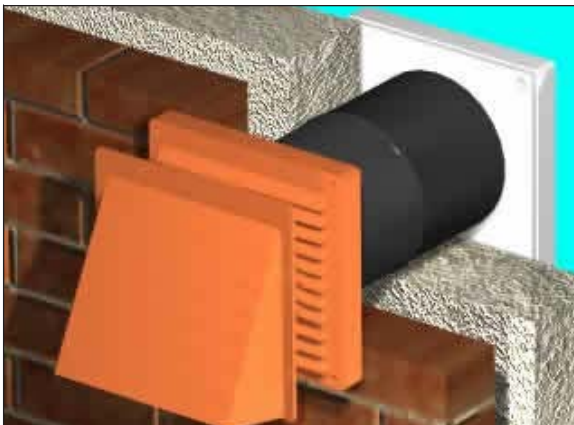


| Product Specification Code | D _{n,e,w} | Equivalent Area |
|----------------------------|--------------------|---|
| Rytons AAC625CW | 38 dB | 7511mm ² (75.11cm ²) (11½"²) |
| Rytons AAC635CW | 42 dB | 5248mm ² (52.48cm ²) (8"²) |

In-Situ Line Drawing



In-Situ Drawing



Size

Cowl: 217mm (L) x 210mm (H) x 93mm (D).
Louvre Ventilators: 177mm (L) x 173mm (H).
Tube: 151mm (6" (Dia.) x 358mm (L).
R14 AutoCAD drawing available by e-mail.

Heat Producing Appliances

AAC625CW suitable for an open-flued gas appliance installed in a room or internal space with a gross rated input up to 22kW (75000 Btu/h).
AAC635CW suitable for an open-flued gas appliance installed in a room or internal space with a gross rated input up to 17kW (58000 Btu/h).

Composition

External Louvre: U.V. stabilised high impact polystyrene.
Tube: High impact polystyrene containing sound absorbent foam lining.
Internal Louvre: U.V. stabilised high impact polystyrene.

Colours

External Louvre: White, buff/sand, terracotta.
Tube: Black.
Internal Louvre: White.

Specification Paragraph

Manufacturer:

Rytons Building Products Ltd Tel: 01536 511874 Fax: 01536 310455
Email: admin@rytons.com Web: www.vents.co.uk (updated regularly)

Product ref:

- Rytons Cowled 150mm Acoustic AirCore® (38 dB) White (ref AAC625WCW)
- Rytons Cowled 150mm Acoustic AirCore® (38 dB) Buff/Sand (ref AAC625BCW)
- Rytons Cowled 150mm Acoustic AirCore® (38 dB) Terracotta (ref AAC625TCW)
- Rytons Cowled 150mm Acoustic AirCore® (42 dB) White (ref AAC635WCW)
- Rytons Cowled 150mm Acoustic AirCore® (42 dB) Buff/Sand (ref AAC635BCW)
- Rytons Cowled 150mm Acoustic AirCore® (42 dB) Terracotta (ref AAC635TCW)

Type: Acoustic Core Ventilator with Internal and External Grilles

Equivalent Area: AAC625CW 7511mm², AAC635CW 5248mm² (BRE tested)

Technical Data Sheet

Rytons Cowled 150mm Acoustic AirCores®

(Sound and Draught Reducing)

Colour Key

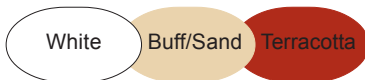
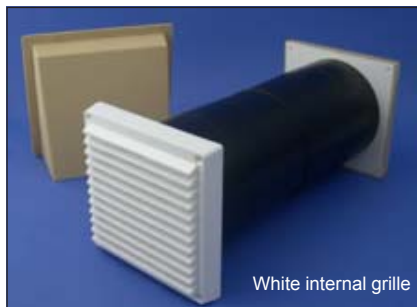
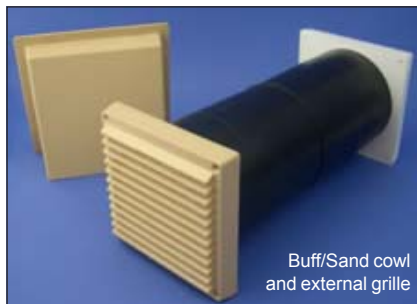


Photo Library



Installation

Drill a hole using a 151mm core drill. Cut tube to length if necessary. Insert tube into hole. Push fit internal and external louvres (screw if necessary). Fasten cowl to the brickwork through the pre-formed holes in the flange around the cowl.

Extra Features and Benefits

Individually boxed sets for easy identification, handling and efficient installation. Interlocking components aid correct positioning, alignment and easy installation. Injection moulded one piece tube makes handling easier and installation quicker. External water baffle prevents transfer of water across the cavity. Internal and external louvre grilles embossed with DO NOT BLOCK.

UK Regulations, Standards and Guidelines

Measurement of sound insulation made by BRE in accordance with BS EN 20140-10:1992 'Laboratory measurement of airborne sound insulation of small building elements'. Single number quantities were calculated in accordance with BS EN ISO 717-1:1997 'Rating of sound insulation in buildings and of building elements'.

For heat producing appliances (including solid fuel) refer to:

The Building Regulations 2000, Approved Document J.

The Building (Scotland) Regulations 2004, Mandatory Standard 3.21.

The Building Regulations (Northern Ireland) 2000, Technical Booklet L.

British Standard BS 5440-2:2000.

For decorative fuel effect gas fires refer to:

British Standard BS 5871-3:2005.

Handling Information

Box quantity: 1 set.

Box size: 44cm (W) x 19cm (H) x 22.5cm (D).

Box weights: AAC625CW 0.99kg, AAC635CW 1.05kg.

A bit about the BRE

The Building Research Establishment Ltd is a respected independent testing authority. BRE Acoustics holds UKAS accreditation for the measurement of sound insulation in the field and the laboratory. The measurements were conducted using the procedures accredited by UKAS.

Questions

Is a copy of the BRE test report available?

Yes, ask Rytons sales office for a copy of test report number 230822.

Will installing more than one vent to achieve a greater equivalent area have an effect on the acoustic performance?

Yes, by installing two vents anywhere in a room the combined performance of both vents would be reduced by 3dB. Installing four vents would give a reduction of 6dB.