

WALLFLORE®SOFT-pk

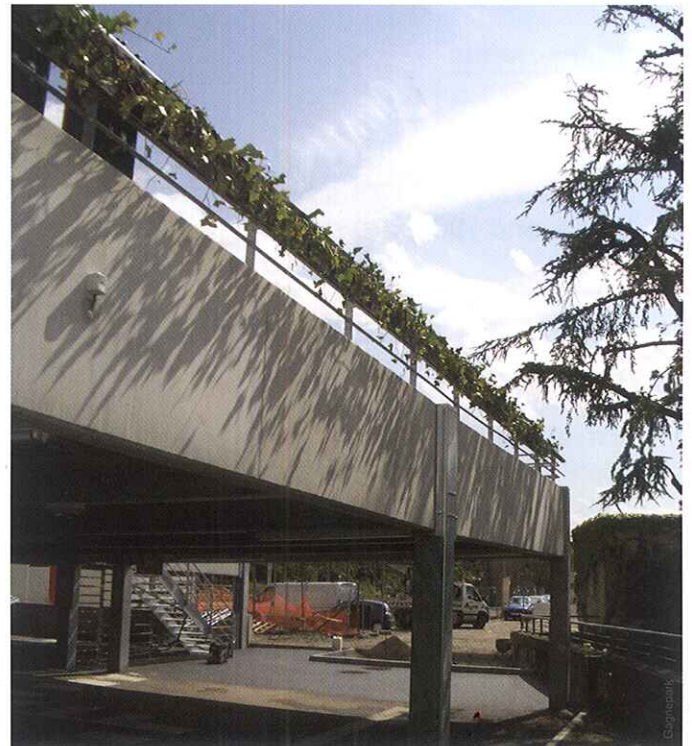
Greening system for car parks with climbing plants

WALLFLORE®SOFT-pk system is a technique adapted from **WALLFLORE®SOFT-e/i** that allows the fast and cost-effective greening of large girders as well as guard-rails of car parks.

The **WALLFLORE®SOFT-pk** system uses the linear fitting configuration of the panels of the **WALLFLORE®SOFT-e/i** system. The aesthetic of the plants used in this configuration is hanging foliage.

The proprietary fixing and supporting system have been designed for the easy installation on concrete girders and all types of guard-rails.

Elevations and guard-rails that are greened with the **WALLFLORE®SOFT-pk** system will display an evergreen vegetal aesthetic through the year, and can integrate seasonal flowering as an option.



WALLFLORE®PER-pk 4 unique selling points

1- Low installation costs

Light weight modular panels, easy to install, similar to current techniques of modern cladding systems.

2- Environmentally friendly

The components of the panels and the support system use materials that are 100% recyclable or recycled. Rainwater recycling.

3- Low running costs and maintenance costs

The built-in irrigation system allows for the use of recycled water, and can be remotely-controlled. The irrigation drippers can be easily replaced without removing any panels.

4- 10 year guaranty + Insurance

The system comes with a manufacturer's guaranty and an insurance-backed guaranty of 10 years.

Technical datasheet WALLFLORE®SOFT-pk

Standard panel dimensions mm (WxH)

1200 x 250 / 900 x 250 / 600 x 250

Cut sizes available upon request.

Panel's thickness (excluding support system and plants)

Standard version : 75 mm

XL version: 115 mm

Panels' weight

(Based on 1200x250 mm panels)

Standard version: 6 to 9 kg

XL version: 9 to 12 kg

Components

Growing Substrate

SAINT-GOBAIN/CULTILENE horticultural stone wool (80 kg/m³) with a lifetime greater than 10 years, and 100% recyclable at end-of-life.

Panel Structure

Invisible structure made of Aluminium 5083 (AG5).

Envelope

Non-woven felt made of recycled PP and PE, treated anti-UV. Colour : dark grey (RAL 9011).

Support system

Proprietary brackets, vertical and horizontal rails (aluminium 5083). Fitting of the panels from the front and side-sliding.

Irrigation system

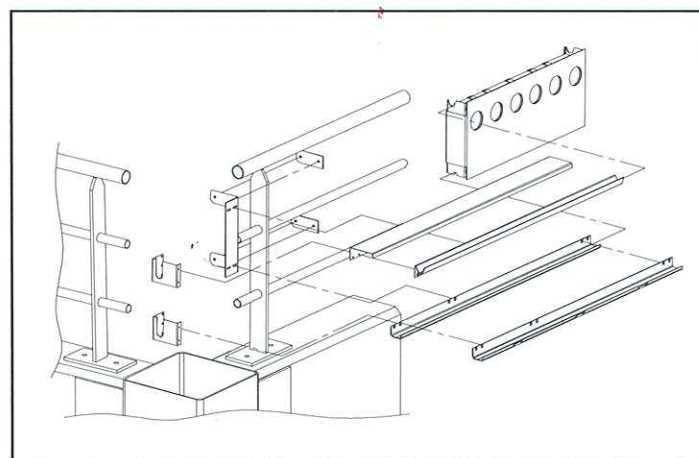
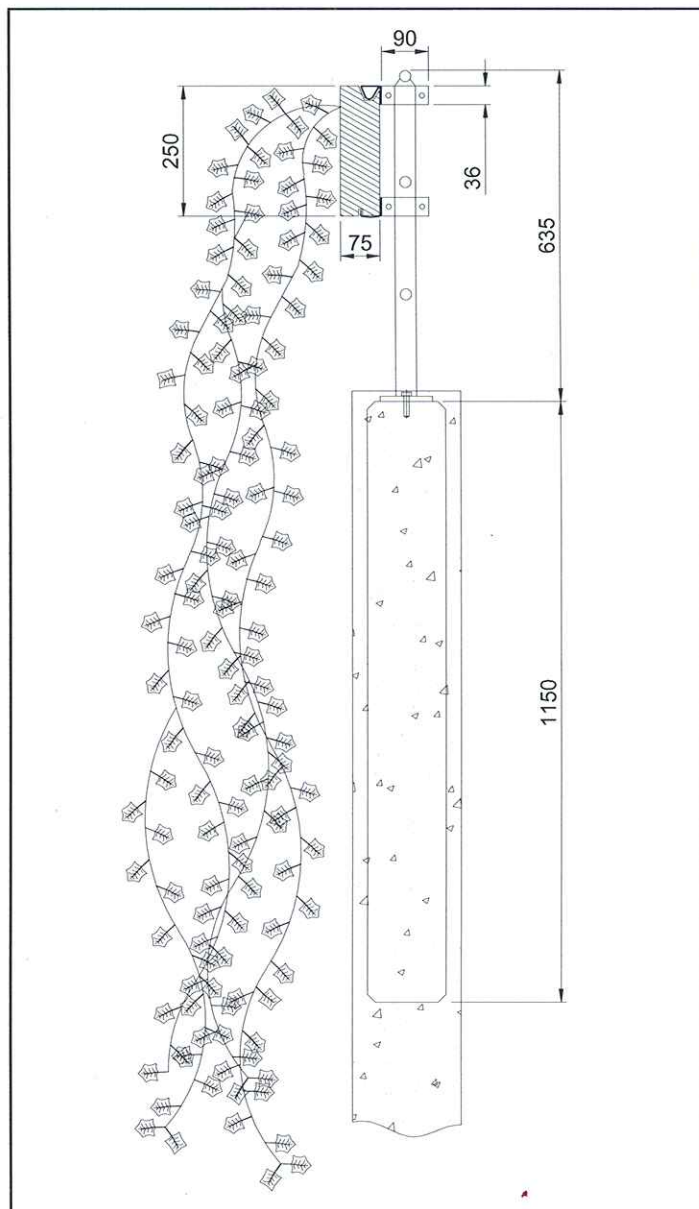
The proprietary built-in network of irrigation drippers in the support system's rails brings to the plants the precise amount of nutrients and water. The irrigation is fully automated and remotely controlled via an irrigation station, typically located in the plant room of the building.

Plants

Standard range of 3 evergreen climbers, subject to local climate conditions.

Plants density:

8 to 12 plants per 1200 x 250 mm panel.



WALLFLORE® SYSTEMS N.V.

Raadhuisplein 41

5121 JZ Rijen

The Netherlands

+31(0)161 22 89 55

+31(0)161 22 89 50

info@wallflore.eu

www.wallflore.com