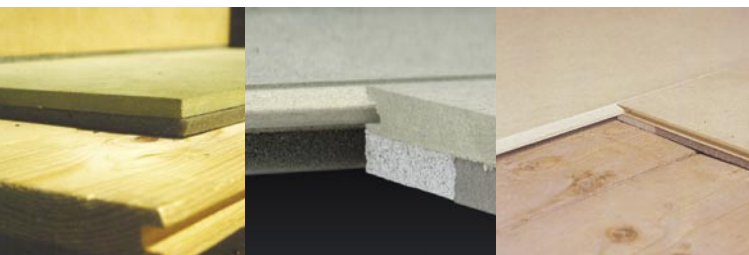


INNOVATION BUILT ON EXPERIENCE



PROFLOOR MICRODECK

user guide



ACOUSTIC INSULATION
CONSTRUCTION MEMBRANES
GEOSYNTHETIC ENGINEERING
METAL ROOFING TILES
THERMAL INSULATION
TIMBER CLADDING
VIBRATION ISOLATION



MICRODECK DETAILS

SITE CONDITIONS

It is essential that site conditions are suitable for the installation of the Profloor Micro Deck System and laying should not commence until the correct conditions are achieved.

SUB-FLOOR

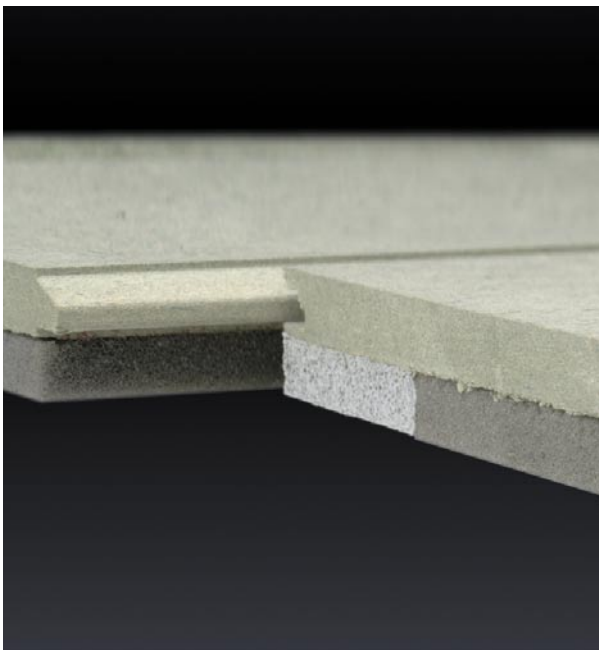
The sub-floor must be hard, dry and swept clean. The surface should be such that the Profloor Micro Deck can be laid flat.

SUB-FLOOR LEVELS

It has been our experience that timber floors, screeded floors and in-situ concrete floors, finished with a smooth surface, are suitable for the installation of the Profloor Micro Deck system provided that they are generally level.

COMMENCEMENT OF LAYING

The floor system should be programmed to be laid as late as possible. All windows should be installed and glazed, wet trades completed and sufficient time allowed for thorough drying out.



MICRODECK DETAILS



SERVICES

It is not possible to run any services between the Profloor Micro Deck and the sub-floor due to the compactness of the system.

CARE OF MATERIALS

Profloor Micro Deck should not be delivered to site until dry storage is available, preferably in the area where the Deck is to be laid.

TECHNICAL SERVICES

If any Technical advice is required, at either the design or installation stage, please contact the Technical Department of A. Proctor Group Ltd on 01250 872261.

MICRODECK DETAILS

SUPPLY OF PROFLOOR MICRO DECK SYSTEM

Floor Finish 9mm Moisture Resistant
Medium Density Fibreboard

Panel Size 1200 x 600mm

Thickness 17mm
*Including 8mm thick resilient foam system which
compresses to 7mm under normal domestic load conditions.*

Panel Joint Tongued and Groove Design

ACCESSORIES

Profloor Microdeck Hi-load 1200 x 600 x 17mm

Profloor Flanking Support Strip 125mm wide x 7mm thick
with or without 50mm double sided tape
Supplied in 10 lin m coils

Profloor Support Strip 50mm wide x 7mm thick
complete with 50mm double sided tape
Supplied in 10 lin m coils

Profloor Adhesive Supplied 1 litre bottles

HOW TO SPECIFY PROFLOOR MICRO DECK

To be laid in accordance with the manufacturer's printed instructions.

- Profloor Micro Deck panels, 1200mm x 600mm.
Specify quantity in square metres.
- Profloor Flanking/Support Strip, 125mm wide, 7mm thick at
perimeter of all rooms.
Specify quantity in linear metres.
- Profloor Support Deck Strip, 7mm x 50mm wide, in doorways as
necessary.
Specify quantity in linear metres.
- Profloor Micro Deck Hi-Load specified in areas exceeding
1.4kN Specify quantity in square metres.

INSTALLATION DETAILS

PROFLOOR MICRO DECK

Floor surfaces that are suitable for the application of Profloor Micro Deck System.

Laying on Concrete

- Solid Concrete Slab (in-situ)
- Solid Concrete Slab with permanent shuttering
- Concrete beams with infill blocks
- Planks (solid or hollow)
- Robust Details; E-FC-1, E-FC-2, E-FS-1

Laying on Timber

- Platform with absorbent material
- Platform with heavy pugging
- Traditional timber flooring
- Timber floor with Independent ceiling system

1 LAYING PROCEDURE

The Profloor Micro Deck System should be laid in accordance with the manufacturer's printed instructions. Copies of the laying procedures are available to every site. Relevant trades must follow these carefully to ensure a satisfactory installation.

(See *figure 1*) for a general layout.

2 PERIMETER SUPPORT AND FLANKING ISOLATION

Profloor Micro Deck panels must be supported at all perimeters.

The support at room perimeters must be fitted on site using Profloor Flanking/Support Strip. This strip combines perimeter support and isolation of the flooring system from the adjacent structure. (See *figure 2*.)

Profloor Flanking/Support Strip is supplied, normally 125mm wide, and can be supplied with or without 50mm double sided tape. Other widths can be supplied if required. Remove a 50mm wide strip of foam from the edges of the Profloor Micro Deck panels which abut the room perimeter:

Where the sub-floor is concrete, Profloor Flanking/Support Strip with double sided tape is attached to the exposed area of the panel using double sided tape provide.

Where the sub-floor is timber, Profloor Flanking/Support Strip without double sided tape is available.

The support between adjacent panels is fitted during manufacture.

INSTALLATION DETAILS

3 INSTALLATION

Commence laying Profloor Micro Deck System panels in the corner furthest from the point of access. Insert the Profloor Flanking Strip to ensure it is positioned between the perimeter structure and the Profloor Micro Deck panel. Lay the Profloor Micro Deck panels, along the full length of the room, ensuring the exposed edge is properly aligned to allow a straight joint for the next line of panels.

See section (7) regarding expansion requirements.

4 PROFLOOR MICRO DECK PANEL STAGGER

Profloor Micro Deck panels, in adjacent rows, should be staggered by a minimum of 400mm. The offcut from the previous row should be used at the start of the next row, provided that it is not less than 200mm.

(See figure 1.)

5 FIXING PROFLOOR MICRO DECK PANELS

Mechanical fixings must not be used to fix main flooring panels. Apply Profloor Adhesive to the T&G joints of all Profloor Micro Deck panels before butting them together. (See figure 3.)

Remove any surplus adhesive, before it dries, from the surface, with a damp cloth.

6 MOUNTING PARTITIONS

It is not recommended that partitions be mounted off the Profloor Micro Deck flooring systems.



INSTALLATION DETAILS

7 EXPANSION OF FLOORING MATERIAL

Allow for the possible expansion of the Profloor Micro Deck panel by leaving a gap between the free edge of the panel and the perimeter wall or other abutment. This gap should be calculated as 1mm per linear metre of flooring and in no circumstances should be less than 10mm. (See *figure 2*.)

If required, small wedges can be placed between the Profloor Flanking Strip and the structure. These wedges must be removed before skirtings are fixed.

8 GAP AT WALL OR DOOR FRAME

Ensure that the Profloor Micro Deck panel does not make contact with any part of the wall structure including door frames and the like. Use Profloor Flanking/Support Strip at all perimeters to ensure this separation.

When laying in a refurbishment situation with facings in position, the application is simplified by cutting 25mm off the bottom of the facings. This allows the Profloor Flanking Strip and board to slip underneath.

9 SERVICES WITHIN FLOORING SYSTEM

It is imperative that all services are in place prior to laying the Profloor Micro Deck panels. Services cannot be accommodated between Profloor Micro Deck and the sub-floor.

Where access is required to services below the sub-floor, the Profloor Micro Deck panel is cut to suit. Profloor Support Strips are placed around the perimeter of the opening formed. The Profloor Support Strips are positioned to support the the main floor panels and the hatch infill panel. A line of acoustic sealant should be caulked onto all the butt joints formed or alternatively, a proprietary support joint can be used. (See *figure 5*.)

INSTALLATION DETAILS

10 DOORWAYS

Where Profloor Micro Deck panels are butted together, without the tongue and groove, ie. in doorways, a Profloor Support Strip must be attached to the end of each board. This is the only situation where mechanical fixings may be used. (See figure 6.)

Care must be taken at the design stage to ensure that fire stops are fitted to the same standard as that required for the Fire Doors. Technical advice can be provided for individual projects.

11 SKIRTING BOARDS

Fold the Profloor/Support Strip over onto the Profloor Micro Deck, apply weight to compress the system (the Tradesman's weight is normally sufficient) and fix the skirting so that it rests on the Profloor Flanking Strip. Trim the edge of the Profloor Flanking/Strip flush with the skirting.

12 KITCHEN / BATHROOM / POINT LOADINGS

When a floor loading is in excess of 1.4kN, (ie. under bath, WC, Kitchen unit or night store heaters) it is recommended that Profloor Micro Deck Hi-load is used.

13 PROTECTION

To prevent damage by following trades, the finished floor should be covered with a protective layer immediately after installation.



INSTALLATION DETAILS

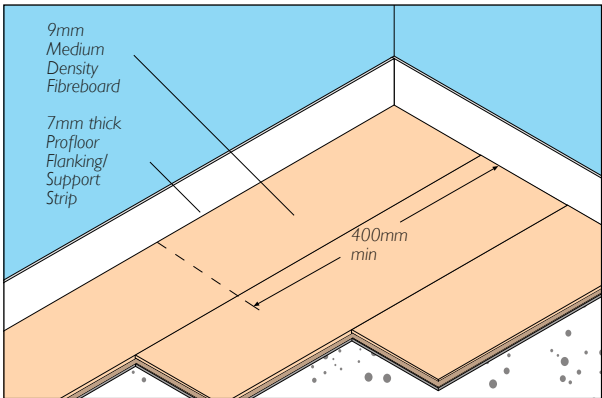


figure 1 - General floor layout

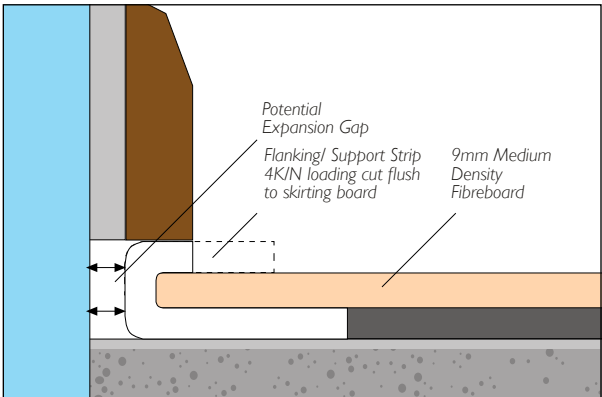


figure 2 - Perimeter Support of Prowall Micro Deck

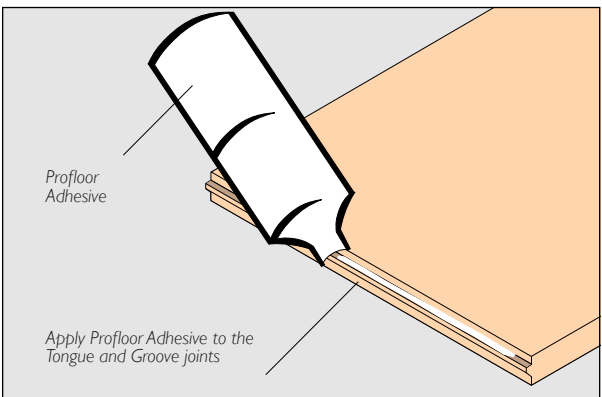


figure 3 - Illustration shows glue being applied to 'Tongue'

INSTALLATION DETAILS

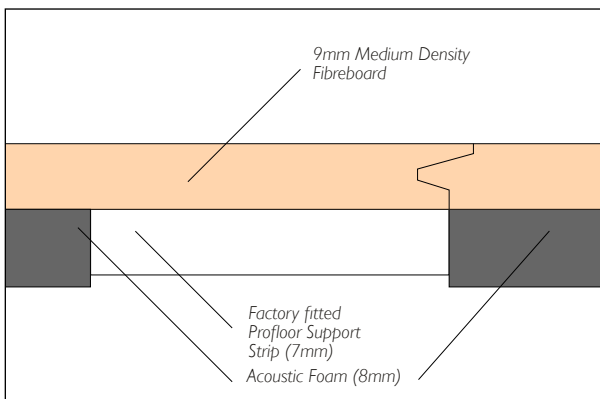


figure 4

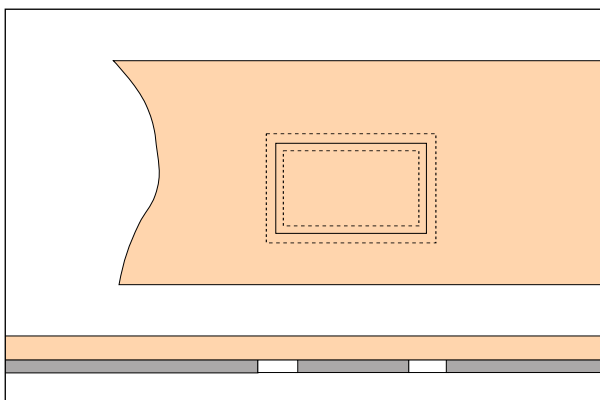


figure 5 - Position of the Profloor Support Strip

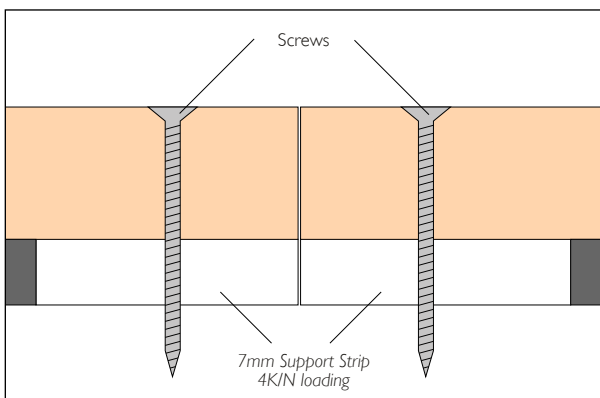
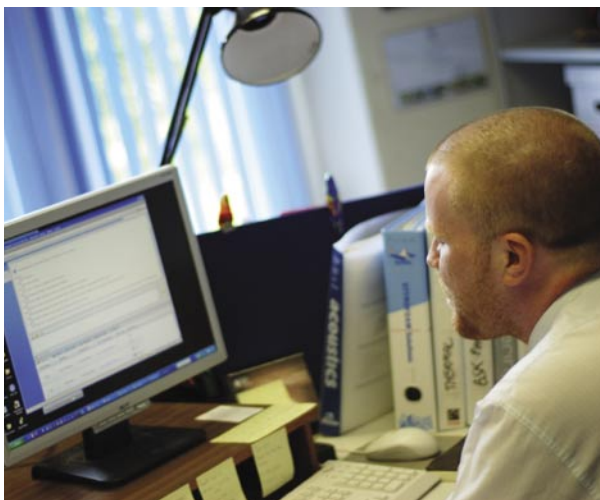


figure 6 - Typical method of supporting a butt joint in a doorway

TECHNICAL ADVICE



The A. Proctor Group has a dedicated Technical Department which can deal with installation details, view drawings for approval and give specialist advice on the correct use of the A. Proctor Group products.

For Technical Advice on installation details and product applications contact the A. Proctor Tecline:

Telephone: 01250 872261

Facsimile: 01250 872727

e-mail. askacoustics@proctor-group.co.uk

INNOVATION **BUILT ON EXPERIENCE**



The Haugh
Blairgowrie
Perthshire
PH10 7ER

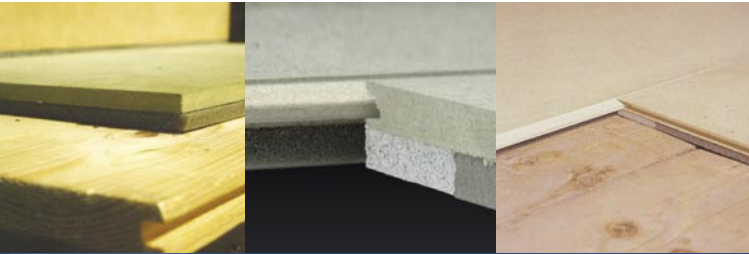
telephone
01250 872 261

fax
01250 872 727

email
askacoustics@proctorgroup.com

www.proctorgroup.com

ap085759



ACOUSTIC INSULATION
CONSTRUCTION MEMBRANES
GEOSYNTHETIC ENGINEERING
METAL ROOFING TILES
THERMAL INSULATION
TIMBER CLADDING
VIBRATION ISOLATION