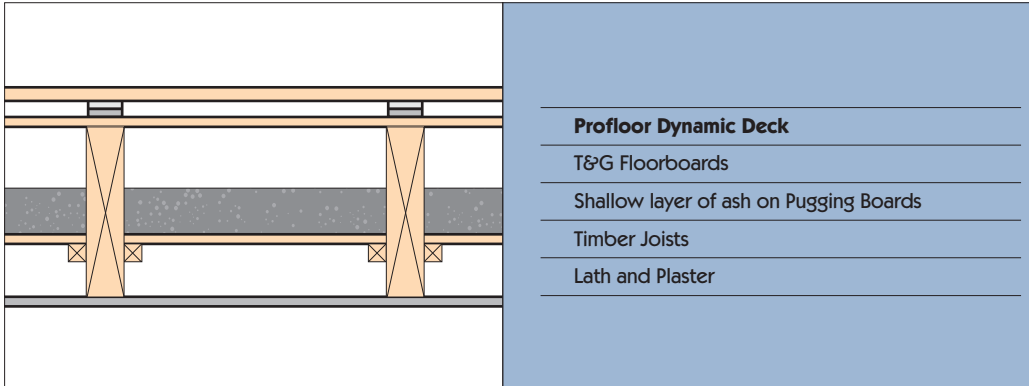


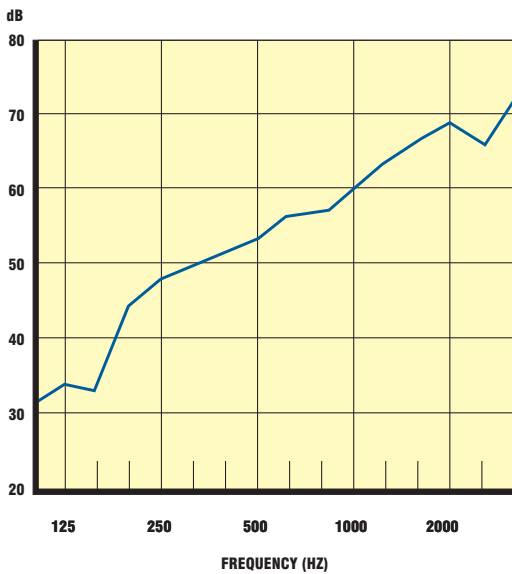
## PROFLOOR DYNAMIC DECK - ON SITE TEST

### Traditional Timber Joisted Floor (Performance Substantiation Report HDD 920001)

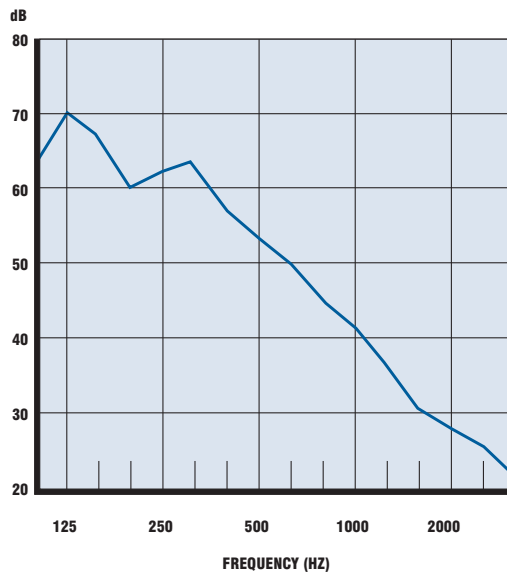
ap05460-DC2-V1



#### Airborne Sound DnTw



#### Impact Sound LnTw



#### Results

$DnT_{w} = 52\text{dB}$   
 $DnT_{w} + Ctr = 45\text{dB}$

#### Requirement

**England and Wales  
New Build**  
 Minimum 45dB  
 $DnT_{w} + Ctr$

**Conversions**  
 Minimum 43dB  
 $DnT_{w} + Ctr$

**Scotland  
New Build and  
Conversions**  
 Minimum 52dB  $DnT_{w}$   
 (mean)

#### Results

$L'nT_{w} = 58\text{dB}$

#### Requirement

**England and Wales  
New Build**  
 Maximum 62dB  $L'nT_{w}$

**Conversions**  
 Maximum 64dB  $L'nT_{w}$

**Scotland  
New Build and  
Conversions**  
 Maximum 61dB  $L'nT_{w}$   
 (mean)

Results Calculated in Accordance with BS EN ISO 717:1997

SILENTSMOOR

