

# Knauf Aquapanel Installation Guide

Knauf Aquapanel offers all the cost and time saving advantages of drywall installation:

- Quick & easy score and snap cutting
- No pre-drilling required using self piercing and self tapping Aquapanel Screws
- No risk of nail popping or tile cracking with Aquapanel Screws
- Surface ready keyed for tiling
- Metal or timber studs can be used
- Curves are easily created
- Available from Knauf Drywall stockists.

Knauf Aquapanel is installed using the same techniques and tools required for plasterboard and requires no specialist equipment. It interfaces seamlessly with other Knauf Drywall systems.

## Framework

For the best results, we recommend the use of lightweight metal Knauf Acoustic 'C' Studs. Using metal studs ensures accuracy, and they will not move or twist due to shrinkage or water ingress. In either case set studs at maximum 450mm centres.

## Cutting Aquapanel

Knauf Aquapanel is easily and accurately cut using a coarse bladed saw, or by simply scoring and snapping. Score one side with a sharp knife, cutting through the mesh. Snap the board along the score, then cut through the mesh on the other side. Smooth any rough areas caused by scoring with a rasp.

## Fixing Aquapanel

Knauf Aquapanel should be screwed to the framework at maximum 250mm centres, with screws 15mm from the board edge. Use 25mm Knauf Aquapanel Maxi Screws if fixing into metal studs, and 40mm Knauf Aquapanel Screws if fixing into timber studs.

Ensure all joints between boards are staggered and leave a 3mm gap.

## Reinforcing Joints

All joints should be filled with flexible tile adhesive, and Knauf Aquapanel Joint Tape embedded into the wet adhesive.

## Tiling

Always use a quality polymer modified based flexible tile adhesive, following the manufacturer's instructions. Tile on the smooth side of the board.

## Sealing Interfaces

Permanently flexible sealant should be used at corners, at wall to floor connections, around penetrations, and at interfaces with baths and shower trays, in combination with sealing tape in wet areas.



## Customer Service

Freephone: 0800 521 050  
 Freefax: 0800 521 205  
 email: [cservice@knauf.co.uk](mailto:cservice@knauf.co.uk)

## Technical Service Hotline:

01795 416 259

## Website

[www.knaufdrywall.co.uk/aquapanel](http://www.knaufdrywall.co.uk/aquapanel)

Knauf Drywall  
 PO Box 133  
 Sittingbourne Kent ME10 3HW



# Aquapanel

## Drywall for Wet Areas

**AQUAPANEL®**

**KNAUF DRYWALL**

## Knauf Aquapanel – Drywall for Wet Areas

**Aquapanel cement board is an extremely durable tile backer providing peace of mind in wet indoor areas such as bathrooms, shower rooms and wet rooms.**

Resistant to mould and mildew, Aquapanel will not deteriorate in water. It retains its strength even if fully immersed.

A purpose designed tile backing board, Aquapanel solves the problems experienced when traditional backing materials get wet. So no more costly call backs to replace rotten or damaged boards.

Aquapanel Screws ensure a quick and easy installation with no special tools required. Aquapanel is ready keyed to take tiles up to 50 kg/m<sup>2</sup> as soon as the boards are installed.



### The ideal tile backing system for wet and humid areas

- ☐☐ Will not deteriorate in water
- ☐☐ Part E System
- ☐☐ Resistant to mould and mildew
- ☐☐ Tough, strong and impact resistant
- ☐☐ Easy to cut and install

The result of tile failure on a traditional substrate



## Tile Failure – Why does it happen?

**Tile failure can be extremely costly and if traditional materials have been used the result is often replacement of the substrate behind the tiles, as well as the tiles themselves.**

With Knauf Aquapanel, however, tile or grout failure normally means only a simple localised repair is needed, as water ingress will not harm the tile backing.

Tile failure occurs when moisture can get into the substrate:

- ✗ Water spilt whilst plumbing is being installed
- ✗ Unseen leaks in pipe-work within the wall
- ✗ Powershowers blasting water at high pressure can damage grout and allow water to seep through
- ✗ Condensation forming along pipework within the wall soaks into substrate

**“We can’t stop the cause of tile failure but we can stop the effects.”**

Water ingress due to damaged grout, tiles or pipes simply does not affect Aquapanel, leaving you with just a localised repair.

## Knauf Aquapanel System Performance – ‘Part E’ Ready

**Knauf Aquapanel partitions have been extensively tested to new European EN standards and achieve the acoustic requirements of 40dB for Part E, so can easily be included in the drylining specifications of new dwellings.**

Performances of up to 2 hours for fire and 53dB Rw for airborne sound can be achieved.

**For more information please contact Knauf Drywall Technical Services on: 01795 416259**

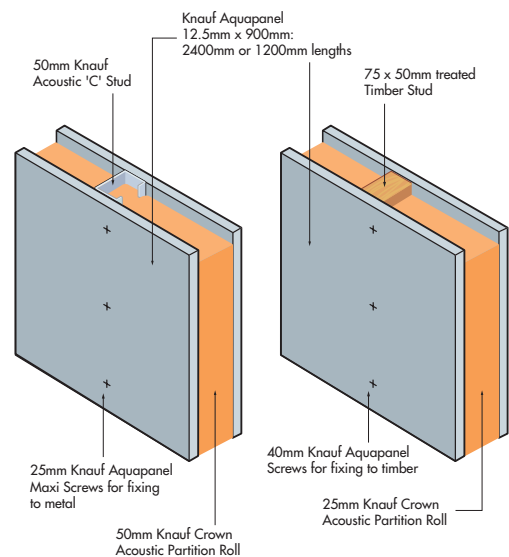
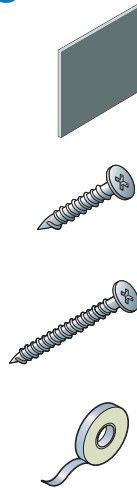
## Performance Information

| Stud Size (mm)        | O/A Width (mm) | Sound (Rw dB) | Weight* (kg/m <sup>2</sup> ) | Max Height (mm) |
|-----------------------|----------------|---------------|------------------------------|-----------------|
| 50 (0.6) Acoustic ‘C’ | 75             | 44            | 32                           | 2700            |
| 75 x 50 Timber        | 100            | 40            | 35                           | 2700            |

\* Weight does not include the weight of finishing materials, eg. tiles.

## Aquapanel Product Range

- Aquapanel Tile Backer:  
12.5mm x 900mm  
Article Code: 670 60 626 (1200mm Length)  
Article Code: 670 60 627 (2400mm Length)
- Aquapanel Maxi Screws:  
25mm screws for fixing to Acoustic ‘C’ Stud  
Article Code: 933 83 250
- Aquapanel Screws:  
40mm Aquapanel Screws for fixing to timber  
Article Code: 933 83 410
- Aquapanel Joint Tape:  
20m roll  
Article Code: 951 60 000



## Commercial Applications

**For larger commercial applications** such as swimming pools, changing rooms and leisure centres, please refer to the comprehensive **Knauf Aquapanel brochure** available from the Knauf Drywall Literature Line **08700 613700** or download it from our website: **[www.knaufdrywall.co.uk/aquapanel](http://www.knaufdrywall.co.uk/aquapanel)**

The commercial system utilises Knauf Aquapanel Joint Adhesive to enable 600mm stud centres to be used with no loss in performance.

