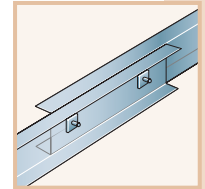


Angles & Channels

Angles



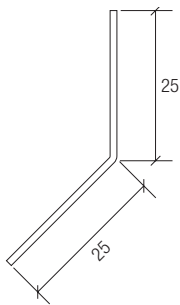
Primarily designed for the suspension of sub grids and ceiling systems, Angles can be used for many general applications in ceilings and dry lining and also for cloaking deflection heads in partitioning systems.

Angles

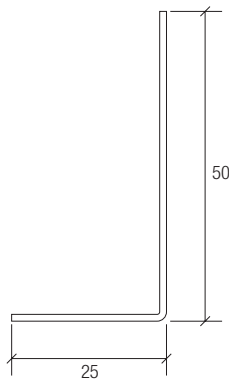


Product Description	Stock Lengths Metre	Weight per Length Kgs
19mm leg x 19mm leg x 90 deg. x 0.8mm	3.000	0.65
	3.600	0.78
22mm leg x 22mm leg x 90 deg. x 0.8mm	3.000	0.77
25mm leg x 25mm leg x 90 deg. x 0.8mm	3.000	0.86
	3.600	1.03
50mm leg x 50mm leg x 90 deg. x 0.8mm	3.000	1.79
	3.600	2.15
50mm leg x 50mm leg x 90 deg. x 1.5mm	3.600	3.96
25mm leg x 25mm leg x 135 deg. x 0.8mm	3.000	0.86
	3.600	1.03
50mm leg x 25mm leg x 90 deg. x 0.8mm	3.000	1.34
	3.600	1.61

Angle - 25 x 25mm x 135 deg



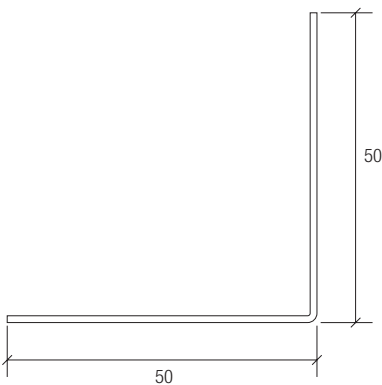
Angle - 50 x 25mm x 90 deg

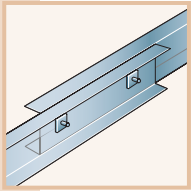


Benefits

- Complete range available ex stock
- Easy to cut and form
- Formed from pre-galvanised mild steel

Angle - 50 x 50mm x 90 deg





Angles & Channels

Channels

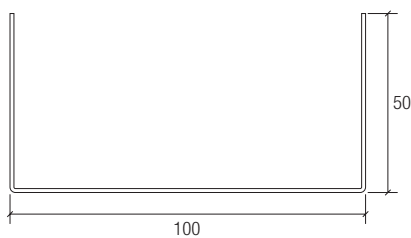
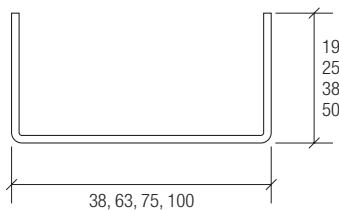
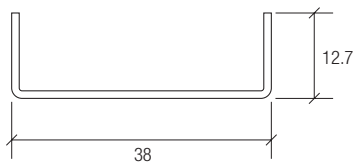
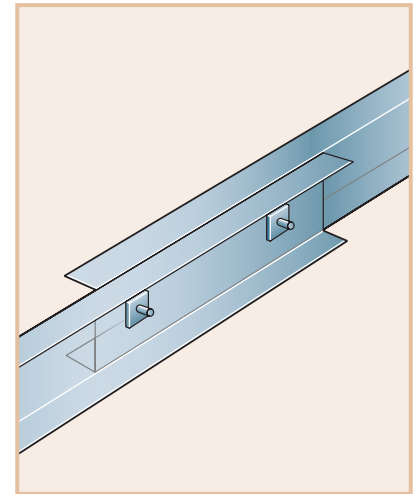
The Speedline range of channels have been designed to form sub grids for supporting any type of suspended ceiling and, providing the following information is submitted, advice on their suitability for use can be provided.

- Type of span – single or continuous
- Length of span – in metres
- Distance – in metres – the channels are spaced apart
- Total weight to be supported from sub grid (kg/square metre)

Channel Connectors are available for 38, 63 and 75mm channels. 100mm channels must be bolted back to back with a minimum overlap of 600mm. A minimum of two bolts must be used, at 500mm minimum centres. This method can also be used for the smaller channels if channel connectors are not used.

Benefits

- Complete range available ex stock
- Formed from pre-galvanised mild steel
- Easy to cut and form



Channels

Product Description	Stock Lengths Metre	Weight per Length Kgs
38mm base x 12.7mm leg x 0.8mm	3.000	1.08
	3.600	1.30
38mm base x 19mm leg x 1.5mm	3.000	2.40
	3.600	2.88
	6.000	4.79
63mm base x 25mm leg x 1.5mm	3.600	4.42
	4.200	5.15
	4.800	5.89
	6.000	7.36
	7.500	9.15
75mm base x 38mm leg x 1.5mm	3.600	6.05
	4.000	6.72
	4.200	7.06
	4.800	8.70
100mm base x 50mm leg x 1.5mm	4.800	10.88
100mm base x 50mm leg x 2.0mm	4.800	14.32

Accessories - Channels



Product Description	Weight per Box Kgs
38mm Channel Connectors	10.20
63mm Channel Connectors	17.20
75mm Channel Connectors	21.62